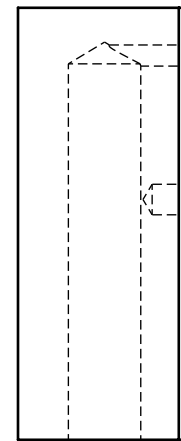
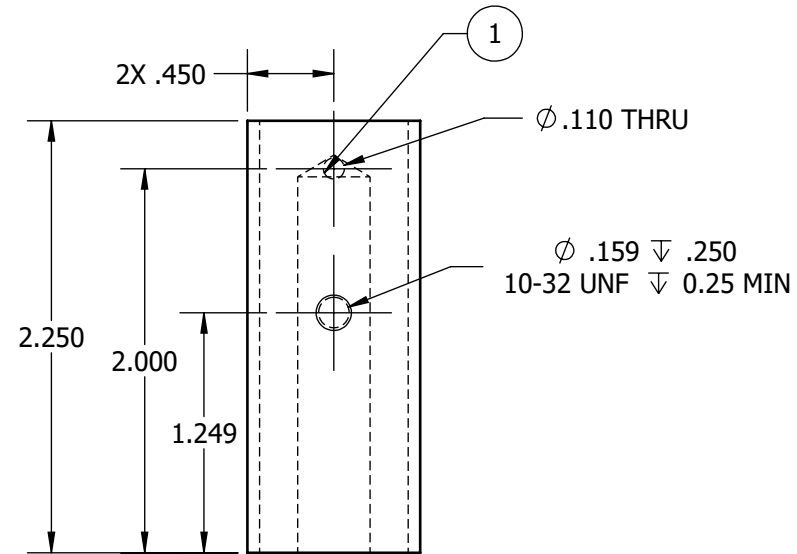
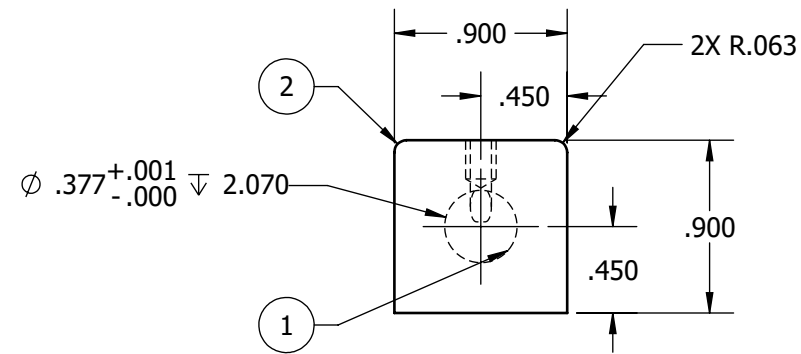


REVISIONS		
REV.	DESCRIPTION	DATE
A	INITIAL RELEASE	10/16/2024



- 1. EDGE BREAK
- 2. OPTIONAL FILLET

PROPRIETARY AND CONFIDENTIAL

THE INFORMATION CONTAINED IN THIS DRAWING IS THE SOLE PROPERTY OF THE UNIVERSITY OF COLORADO. ANY REPRODUCTION IN PART OR AS A WHOLE WITHOUT WRITTEN PERMISSION IS PROHIBITED.

TOLERANCES:
 X.X ±0.1
 X.XX ±0.010
 X.XXX ±0.005
 X.X° ±1°

UNLESS OTHERWISE SPECIFIED:
 DRAWING UNITS: INCHES
 INTERPRET DRAWING PER ASME Y14.100
 INTERPRET DIMENSIONS PER ASME Y14.5M

MATERIAL:
 ACRYLIC
 FINISH:
 MACHINED AND POLISHED

DRAWN:
 JULIA ABOUD

CHECKER:

MANUFACTURING ENGINEER:

DATE:
 10/16/24

DATE:

DATE:

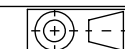


UNIVERSITY OF COLORADO
 1111 ENGINEERING DRIVE
 BOULDER, CO 80309-0427
 MCEN 1025

DESCRIPTION:
 ACRYLIC CYLINDER

PART NUMBER:
 1025WE3

REV
 A



SIZE: B

SHEET: 1 of 1